

Name: 10s-4-3-1
Type: Control valves - 10s type
Subtype: Medium parameters valves
Operating medium: water-steam
Body material: 20



DESCRIPTION:

Control valves are the most used valve type designed for continuous or discrete adjustment of flow and pressure.

TECHNICAL DATA:

Diameter, DN: 32 mm
Pressure, PN: 10 MPa
Temperature: 450 C°
Maximum pressure differential: 1 MPa
Discharge rate (Kv100): 3.2 m³/h
Rotational moment on the shaft: 70 Ngm
Number of revolutions: 6
Operating stroke: 24 mm

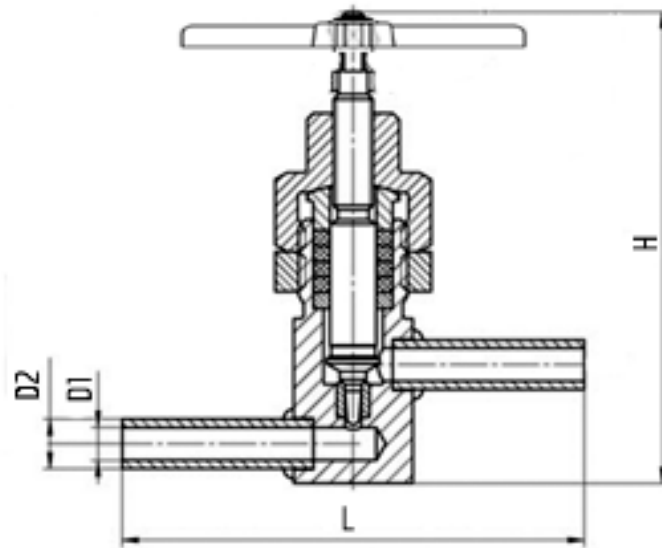
DIMENSIONS:

D1 (D3): 32 mm
D2 (D4): 40 mm
L: 230 mm
H: 303 mm
A: 47 mm
Weight: 6.7 кг

ACTUATOR:

Control type: M
Actuator model: -
Actuator power: 0 kW
Full stroke time: 0 s

DIMENSIONAL DRAWING:



A