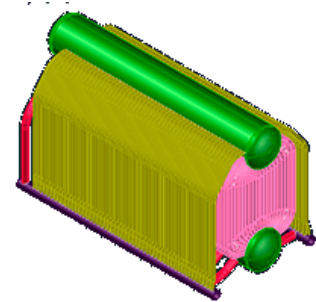


Type: Steam boilers
Model: KE type (husk)
Name: KE-10-24DV
Alias names: KE-10-24ДВ, E-10,0-2,4ДВ
Fuel: husk



DESCRIPTION:

Steam boilers of this type are designed for production of saturated or overheated steam for needs of different industries, heating, ventilation and hot-water supply systems.

TECHNICAL DATA:

Steam capacity: 10.0 t/h
Output pressure: 2.3 (23) Pa (kp/cm²)
Output temperature: 220 C
Supply water temperature: 100 C
Efficiency: 80,4 %
Fuel consumption: 3900 kg/h

DIMENSIONS:

Integrated boiler dimensions: 11350X5925X 5905 mm
Weight: 31861,5 kg