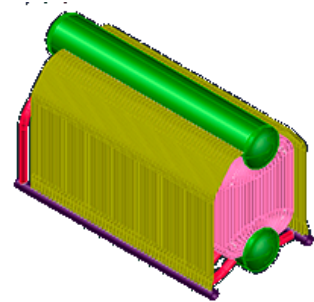


**Type:** Steam boilers  
**Model:** KE type (bituminous / brown coal)  
**Name:** KE-25-14-225C  
**Alias names:** KE-25-14-225C, E-25-1,4-225P  
**Fuel:** bituminous / brown coal



## DESCRIPTION:

Steam boilers of this type are designed for production of saturated or overheated steam for needs of different industries, heating, ventilation and hot-water supply systems.

## TECHNICAL DATA:

Steam capacity: 25.0 t/h  
Output pressure: 1.3 (13) Pa (kp/cm<sup>2</sup>)  
Output temperature: 225 C  
Supply water temperature: 100 C  
Efficiency: 87,5/85,7 %  
Fuel consumption: 3137/5616 kg/h

## DIMENSIONS:

Integrated boiler dimensions: 12640x5622x 7660 mm  
Weight: 34555 kg