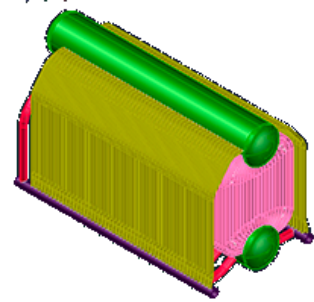


Type: Steam boilers
Model: KE type (bituminous / brown coal)
Name: KE-25-14S
Alias names: KE-25-14C, E-25-1,4P
Fuel: bituminous / brown coal



DESCRIPTION:

Steam boilers of this type are designed for production of saturated or overheated steam for needs of different industries, heating, ventilation and hot-water supply systems.

TECHNICAL DATA:

Steam capacity: 25.0 t/h
Output pressure: 1.3 (13) Pa (kp/cm²)
Output temperature: 194 C
Supply water temperature: 100 C
Efficiency: 86,9/86,3 %
Fuel consumption: 3116/5492 kg/h

DIMENSIONS:

Integrated boiler dimensions: 12640x5622x 7660 mm
Weight: 35713 kg