

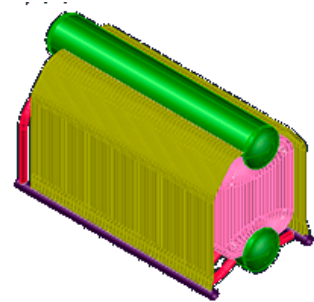
Type: Steam boilers

Model: KE type (wood waste with fuel oil / gas support)

Name: KE-25-24-250MTD-GM

Alias names: KE-25-24-250MTД-ГМ, E-25-2,4-250ОГМ

Fuel: wood waste with fuel oil / gas support



DESCRIPTION:

Steam boilers of this type are designed for production of saturated or overheated steam for needs of different industries, heating, ventilation and hot-water supply systems.

TECHNICAL DATA:

Steam capacity: 25.0 t/h

Output pressure: 2.3 (23) Pa (kp/cm²)

Output temperature: 250 C

Supply water temperature: 100 C

Efficiency: 82,2 %

Fuel consumption: 11350 kg/h

DIMENSIONS:

Integrated boiler dimensions: 12690x8120x 7600 mm

Weight: 46014 kg