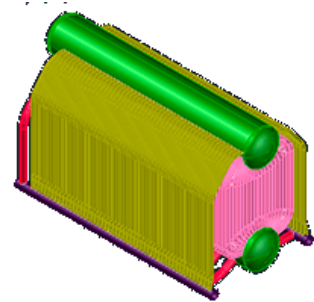


**Type:** Steam boilers  
**Model:** KE type (bituminous / brown coal)  
**Name:** KE-6,5-14-225S-O  
**Alias names:** KE-6,5-14-225C-O, E-6,5-1,4-225P  
**Fuel:** bituminous / brown coal



## DESCRIPTION:

Steam boilers of this type are designed for production of saturated or overheated steam for needs of different industries, heating, ventilation and hot-water supply systems.

## TECHNICAL DATA:

Steam capacity: 6.5 t/h  
Output pressure: 1.3 (13) Pa (kp/cm<sup>2</sup>)  
Output temperature: 225 C  
Supply water temperature: 100 C  
Efficiency: 80,8 %  
Fuel consumption: 760,5/1492 kg/h

## DIMENSIONS:

Integrated boiler dimensions: 7940X4640X 5190 mm  
Weight: 17880 kg