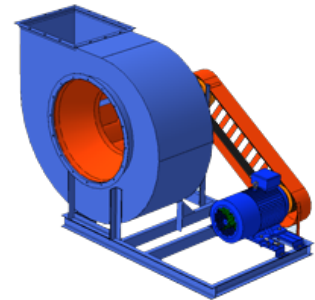


Name: MPRF-100-35-3.55-E1-1.1

Russian name: ВЛ 5-35 №3,55 Исп.1, 1,1 кВт

Type: Medium pressure radial fans

Notes: It is recommended to use vibration isolators of CVI-38 type in quantity of 4 pcs.



DESCRIPTION:

Medium pressure radial fans of MPRF-100-35 type are widely used in air ventilation systems, air conditioning and air heating systems of industrial and civil buildings, in pneumatic conveying systems of flour milling plants, and for other industrial and sanitary-engineering purposes. These medium pressure fans are manufactured in right-hand and left-hand rotations with backward curved blades. In accordance with the field of application these fans can be produced in the following modifications:

 - general purpose industrial modification (carbon steel)

 - corrosion-resistant modification (stainless steel)

 - explosion-proof modification (dissimilar metals)

 - corrosion-resistant modification (titanium alloys)

AERODYNAMIC PERFORMANCE:

Capacity: 1.8 ths. m³

Total pressure: 1900 Pa

Temperature: 80 C

Efficiency: 60-71 %

Dustiness: 0.1 g/m³

DIMENSIONS:

Length: 466 mm

Width: 584 mm

Height: 655 mm

Weight: 43,6 kg

ELECTRIC MOTOR:

Power: 1,1 kW

Rate speed: 3000 rpm

Moment of inertia: n/a kg*m²

AUXILIARIES:

Actuator: n/a Hm

DELIVERY OPTIONS:

Railway: Flatcar: 1 | Open wagon: 0 | Schnabel car: 0

DIMENSIONAL DRAWING:

