

**Name:** 10s-5-2-1  
**Type:** Control valves - 10s type  
**Subtype:** Medium parameters valves  
**Operating medium:** water  
**Body material:** 20



## DESCRIPTION:

Control valves are the most used valve type designed for continuous or discrete adjustment of flow and pressure.

## TECHNICAL DATA:

Diameter, DN: 20 mm  
Pressure, PN: 37.3 MPa  
Temperature: 280 C°  
Maximum pressure differential: 1 MPa  
Discharge rate (Kv100): 1.3 m<sup>3</sup>/h  
Rotational moment on the shaft: 80 Ngm  
Number of revolutions: 5  
Operating stroke: 20 mm

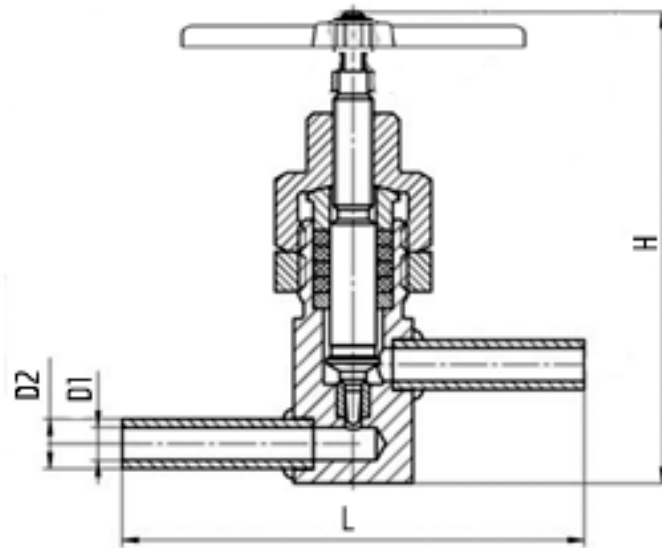
## DIMENSIONS:

D1 (D3): 20 mm  
D2 (D4): 32 mm  
L: 160 mm  
H: 260 mm  
A: 46 mm  
Weight: 5.8 кг

## ACTUATOR:

Control type: M  
Actuator model: -  
Actuator power: 0 kW  
Full stroke time: 0 s

## DIMENSIONAL DRAWING:



A