

Name: 10s-6-2
Type: Control valves - 10s type
Subtype: Medium parameters valves
Operating medium: steam
Body material: 12X1MΦ



DESCRIPTION:

Control valves are the most used valve type designed for continuous or discrete adjustment of flow and pressure.

TECHNICAL DATA:

Diameter, DN: 20 mm
Pressure, PN: 25 MPa
Temperature: 545 CЉ
Maximum pressure differential: 3.9 MPa
Discharge rate (Kv100): 6 m³/h
Rotational moment on the shaft: 80 Ngm
Number of revolutions: 5
Operating stroke: 20 mm

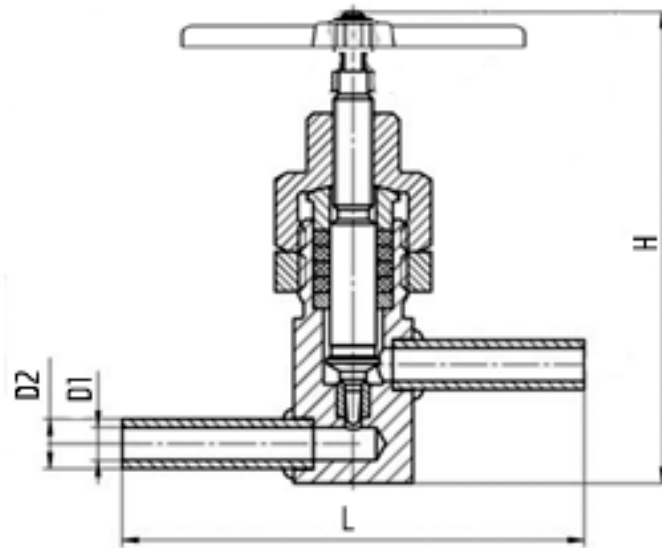
DIMENSIONS:

D1 (D3): 20 mm
D2 (D4): 32 mm
L: 160 mm
H: 260 mm
A: 46 mm
Weight: 5.8 кг

ACTUATOR:

Control type: M
Actuator model: -
Actuator power: 0 kW
Full stroke time: 0 s

DIMENSIONAL DRAWING:



A