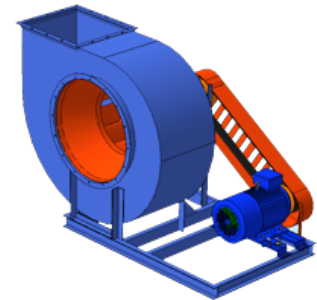


**Name:** HPRF-120-28-10-E5-45

**Russian name:** BP 6-28 №10 Исп.5, 45 кВт

**Type:** High pressure radial fans

**Notes:** It is recommended to use vibration isolators of CVI-44 type in quantity of 5 pcs.



## DESCRIPTION:

High pressure radial fans of HPRF-120-28 type are widely used in air ventilation and air conditioning systems of industrial and civil buildings and for other industrial and sanitary-engineering purposes. These high pressure fans are manufactured in right-hand and left-hand rotations with backward curved blades. In accordance with the field of application these fans can be produced in the following modifications:

<br> - general purpose industrial modification (carbon steel)

<br> - corrosion-resistant modification (stainless steel)

<br> - explosion-proof modification (dissimilar metals)

<br> - explosion-proof and corrosion-resistant modification (dissimilar metals)

<br> - corrosion-resistant modification (titanium alloys)

## AERODYNAMIC PERFORMANCE:

Capacity: 19.0 ths. m<sup>3</sup>

Total pressure: 5700 Pa

Temperature: 80 C

Efficiency: 65-72 %

Dustiness: 0.1 g/m<sup>3</sup>

## DIMENSIONS:

Length: 1245 mm

Width: 2160 mm

Height: 1600 mm

Weight: 980 kg

## ELECTRIC MOTOR:

Power: 45 kW

Rate speed: 1500 rpm

Moment of inertia: n/a kg\*m<sup>2</sup>

AUXILIARIES:

Actuator: n/a Hm

DELIVERY OPTIONS:

Railway: Flatcar: 1 | Open wagon: 0 | Schnabel car: 0

DIMENSIONAL DRAWING:

