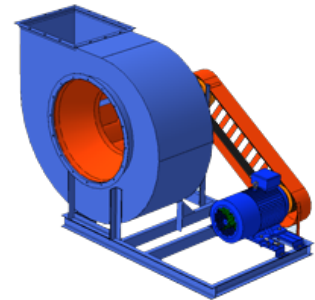


**Name:** HPRF-120-28-8-E5-45

**Russian name:** BP 6-28 №8 Исп.5, 45 кВт

**Type:** High pressure radial fans

**Notes:** It is recommended to use vibration isolators of CVI-44 type in quantity of 4 pcs.



## DESCRIPTION:

High pressure radial fans of HPRF-120-28 type are widely used in air ventilation and air conditioning systems of industrial and civil buildings and for other industrial and sanitary-engineering purposes. These high pressure fans are manufactured in right-hand and left-hand rotations with backward curved blades. In accordance with the field of application these fans can be produced in the following modifications:

- <br> - general purpose industrial modification (carbon steel)
- <br> - corrosion-resistant modification (stainless steel)
- <br> - explosion-proof modification (dissimilar metals)
- <br> - explosion-proof and corrosion-resistant modification (dissimilar metals)
- <br> - corrosion-resistant modification (titanium alloys)

## AERODYNAMIC PERFORMANCE:

Capacity: 16.5 ths. m<sup>3</sup>  
Total pressure: 7200 Pa  
Temperature: 80 C  
Efficiency: 57-72 %  
Dustiness: 0.1 g/m<sup>3</sup>

## DIMENSIONS:

Length: 1110 mm  
Width: 2046 mm  
Height: 1313 mm  
Weight: 850 kg

## ELECTRIC MOTOR:

Power: 45 kW  
Rate speed: 1500 rpm  
Moment of inertia: n/a kg\*m<sup>2</sup>

AUXILIARIES:

Actuator: n/a Hm

DELIVERY OPTIONS:

Railway: Flatcar: 1 | Open wagon: 0 | Schnabel car: 0

DIMENSIONAL DRAWING:

