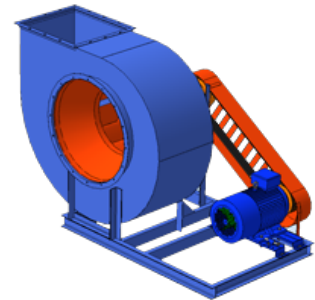


Name: HPRF-120-28-8-E5-55

Russian name: BP 6-28 №8 Исп.5, 55 кВт

Type: High pressure radial fans

Notes: It is recommended to use vibration isolators of CVI-44 type in quantity of 5 pcs.



DESCRIPTION:

High pressure radial fans of HPRF-120-28 type are widely used in air ventilation and air conditioning systems of industrial and civil buildings and for other industrial and sanitary-engineering purposes. These high pressure fans are manufactured in right-hand and left-hand rotations with backward curved blades. In accordance with the field of application these fans can be produced in the following modifications:

 - general purpose industrial modification (carbon steel)

 - corrosion-resistant modification (stainless steel)

 - explosion-proof modification (dissimilar metals)

 - explosion-proof and corrosion-resistant modification (dissimilar metals)

 - corrosion-resistant modification (titanium alloys)

AERODYNAMIC PERFORMANCE:

Capacity: 16.5 ths. m³

Total pressure: 7200 Pa

Temperature: 80 C

Efficiency: 57-72 %

Dustiness: 0.1 g/m³

DIMENSIONS:

Length: 1110 mm

Width: 2046 mm

Height: 1313 mm

Weight: 930 kg

ELECTRIC MOTOR:

Power: 55 kW

Rate speed: 1500 rpm

Moment of inertia: n/a kg*m²

AUXILIARIES:

Actuator: n/a Hm

DELIVERY OPTIONS:

Railway: Flatcar: 1 | Open wagon: 0 | Schnabel car: 0

DIMENSIONAL DRAWING:

