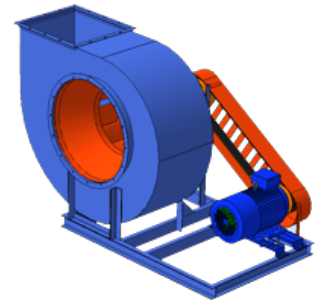


**Name:** MPRF-180-55-10-E5-30  
**Russian name:** ВЛ 9-55 №10 Исп.5, 30 кВт  
**Type:** Medium pressure radial fans  
**Notes:**



## DESCRIPTION:

Medium pressure radial fans of MPRF-180-55 type are widely used in air ventilation and air conditioning systems of industrial and civil buildings and for other industrial and sanitary-engineering purposes. These medium pressure fans are manufactured in right-hand and left-hand rotations with backward curved blades. In accordance with the field of application these fans can be produced in the following modifications:

- <br> - general purpose industrial modification (carbon steel)
- <br> - corrosion-resistant modification (stainless steel)
- <br> - corrosion-resistant modification (titanium alloys)

## AERODYNAMIC PERFORMANCE:

Capacity: 37.0 ths. m<sup>3</sup>  
Total pressure: 1550 Pa  
Temperature: 80 C  
Efficiency: 40-64 %  
Dustiness: 0.1 g/m<sup>3</sup>

## DIMENSIONS:

Length: 1604 mm  
Width: 2495 mm  
Height: 1740 mm  
Weight: 1450 kg

## ELECTRIC MOTOR:

Power: 30 kW  
Rate speed: 1000 rpm  
Moment of inertia: n/a kg\*m<sup>2</sup>

## AUXILIARIES:

Actuator: n/a Hm

DELIVERY OPTIONS:

Railway: Flatcar: 1 | Open wagon: 0 | Schnabel car: 0

DIMENSIONAL DRAWING:

